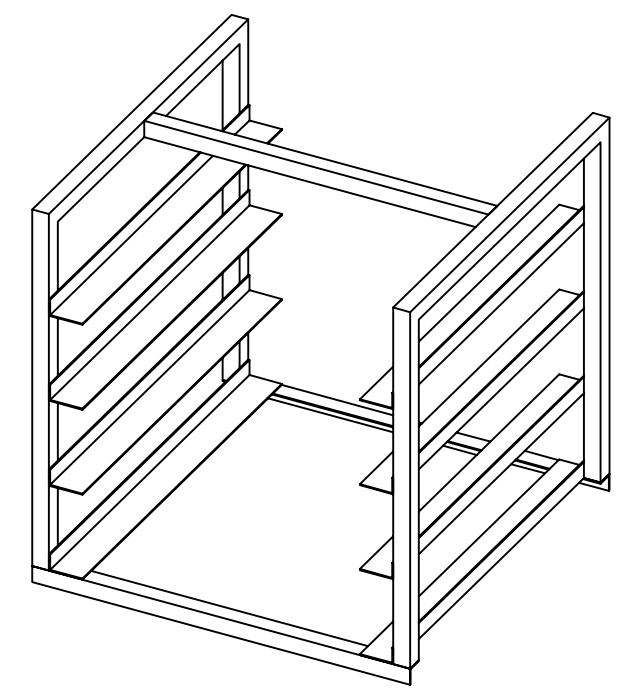
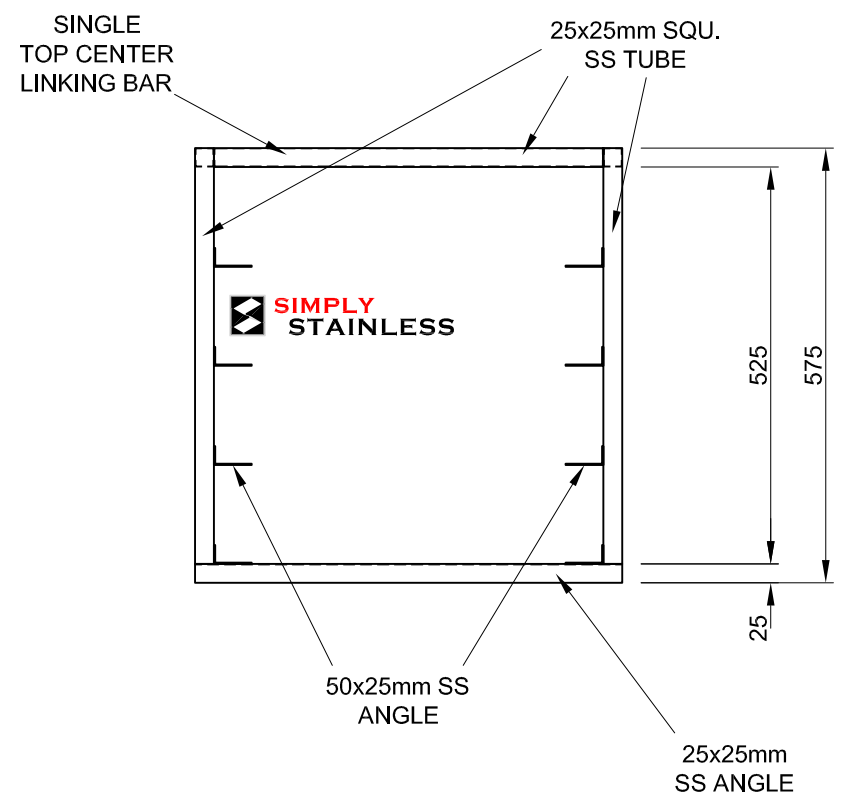


**PLAN**

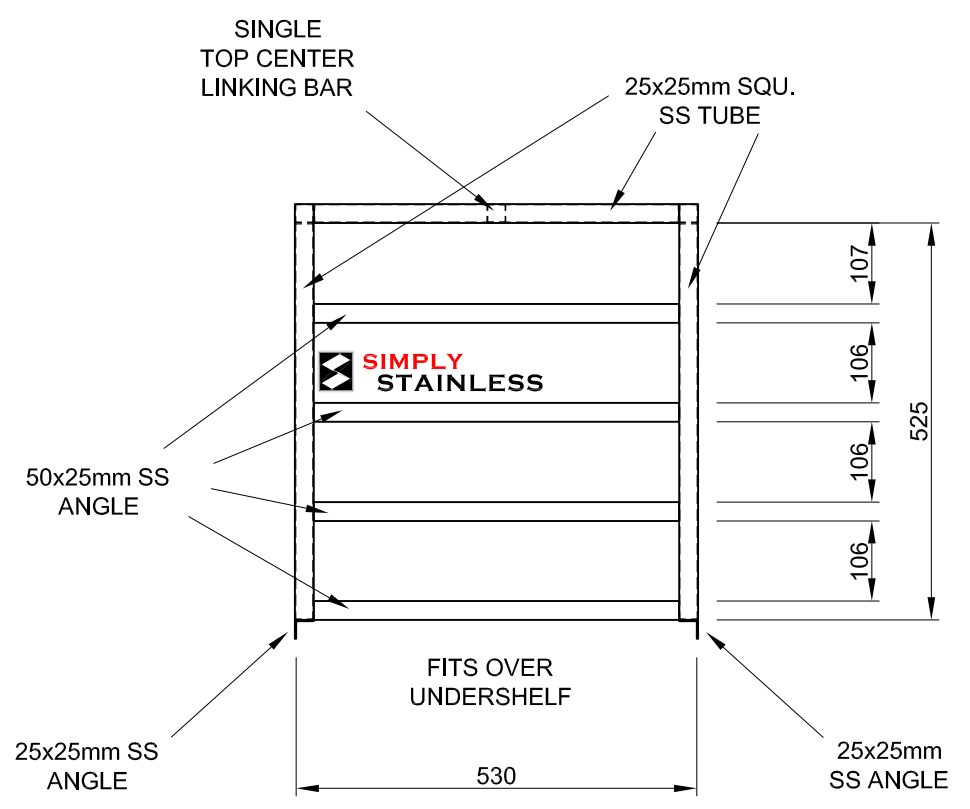


**TRIMETRIC ELEVATION**




**FRONT ELEVATION**

**36-DBC**



**SIDE ELEVATION**



www.simplystainless.com  
Modular Sinks Tables and Shelving

CI GROUP PTY LTD COPYRIGHT ©

This drawing is the property of CI GROUP PTY LTD trading as SIMPLY STAINLESS, and it may not be copied, reproduced or modified in whole or in part, without prior written permission of CI GROUP PTY LTD.

**36 - DBC DISHWASH CASSETTE**

SCALE 1:10

- CONSTRUCTION NOTES:**
1. ANGLE MADE FROM 1.6mm STAINLESS STEEL.
  2. FRAME MADE FROM 25 x 25 x 1.2mm STAINLESS STEEL TUBE.